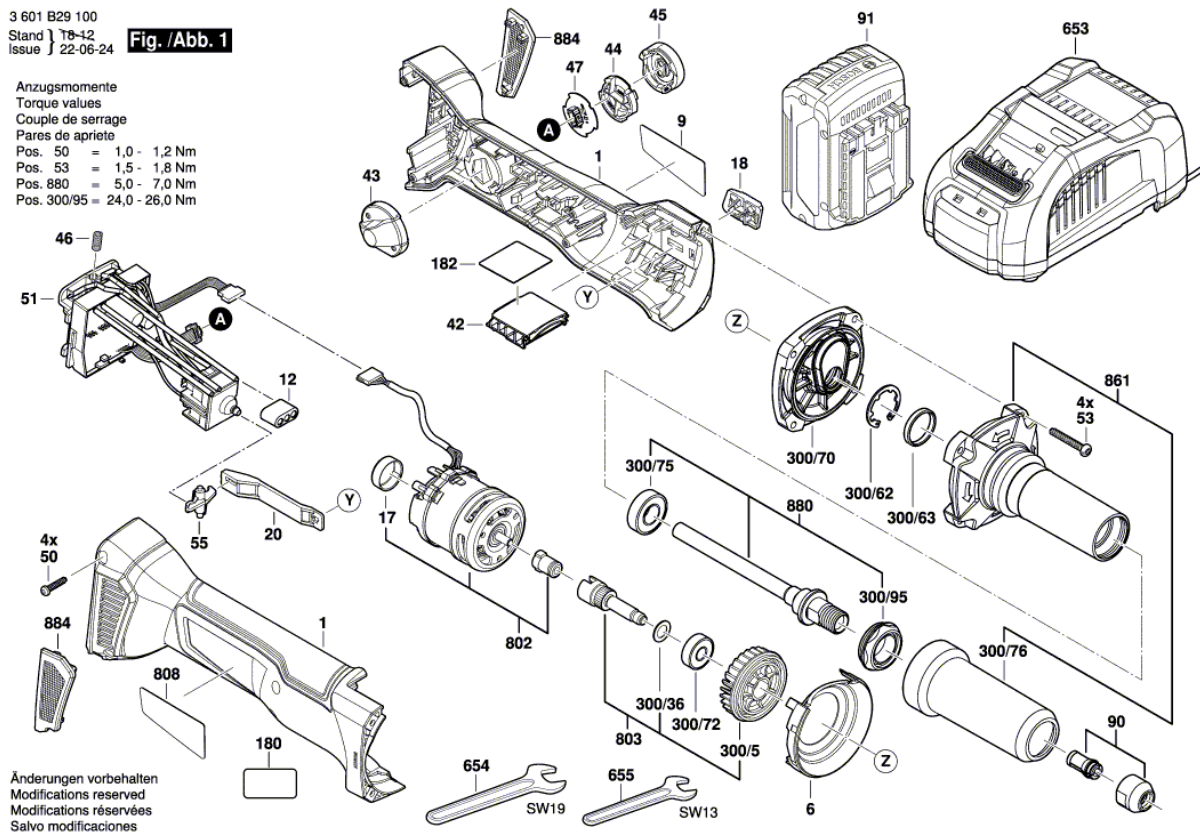


Illustration - Type - E

3 601 B29 100
Stand | 18-12
Issue | 22-06-24

Fig./Abb. 1

Anzugsmomente
Torque values
Couple de serrage
Pares de apriete
Pos. 50 = 1,0 - 1,2 Nm
Pos. 53 = 1,5 - 1,8 Nm
Pos. 880 = 5,0 - 7,0 Nm
Pos. 300/95 = 24,0 - 26,0 Nm



Spare parts list

Item	Part Number	Description	Illustration
1	1 605 108 2DU	Motor Housing	1
6	1 600 591 065	Air-Deflector Ring	1
9	1 601 11C 2J6	Manufacturer's nameplate	1
12	1 600 A00 RK2	Ferrite	1
17	1 600 100 P12	Cover	1
18	1 600 A00 P2P	Switch Handle	1
20	1 600 A00 P14	Adjusting Slide	1
42	1 600 A00 P2N	Cover	1
43	1 600 A00 P1B	Cover	1
44	1 600 A00 M53	Cover Panel	1
45	1 605 500 2BV	Cover	1
46	1 609 280 477	Compression Spring	1
47	1 607 503 438	Electronics Module	1
50	1 603 435 071	Thread-forming tap. Screw	1
51	1 607 233 5FZ	Electronics Module	1
53	2 603 490 025	Torx Oval-Head Screw 4x30	1
55	1 600 A00 P18	Reverse-Transfer Lever	1
90	3 607 030 474	Clamping Unit Ø6 MM	1
91	1 607 A35 0AT	Battery Pack GBA 18V 8.0Ah ProCore SCM	1
182	1 601 11C 12V	Sticker	1
300/36	1 610 100 023	Washer	1
300/5	1 606 610 16E	Fan	1
300/62	1 600 119 011	Retaining clip	1
300/63	1 600 206 025	Rubber Ring	1
300/70	3 605 700 225	Intermediate Flange	1
300/72	1 600 905 032	groove ball bearing 8x22x7	1
300/75	3 600 905 157	groove ball bearing	1
300/76	3 605 500 194	Protective Sleeve	1
300/95	3 600 328 043	Flange LEFTHAND THREADS	1
653	2 607 225 921	Charger EU GAL 1880 CV 230/14,4-18V	1
654	3 607 950 024	Single-Head Eng. Wrench SW19	1
655	3 607 950 025	Single-Head Eng. Wrench SW13	1
802	1 607 000 CA4	Motor	1
803	1 607 000 CA5	Bevel Gear Shaft	1
808	3 601 119 936	Nameplate	1

Spare parts list

Item	Part Number	Description	Illustration
861	1 607 000 D77	Spindle Housing	1
880	1 607 000 D78	Grinding Spindle	1
884	1 607 000 CA9	Filter Unit	1